

Welcome to SBM Design



We invite you to get to know us more closely.

Over the following pages you can find information about our wide portfolio of construction-related services.

let SBM Design assists in your development into a successful future

Catalog



**Your flexible partner for innovative construction solutions in toolmaking
jig and fixture construction- model and mould making - mechanical engineering**

TECHNOLOGY AND DESIGN

SBM Design is the perfect Partner for designing, innovating and developing Projects from scratch to success. Working with us leads to a real achievement through our Knowledge and attentiveness.

After a valuable ten-years of experience in this field, SBM Design, since its creation in 2011, has helped many global leading companies in the world to achieve their goals.

Our qualified team will help you realize your project by active listening and by their fast and accurate skills that aid you to go through your tight deadlines.

A coherent mix of youth and experience makes our team highly attentive in understanding our partners demands and performant in achieving them.

SBM Design is the suitable Environment to accelerate your growth, develop your Projects and ensure a high Quality collaboration that makes life easier.

COMPANY PROFILE

Founded: 2011

Product: Construction and project management for mechanical projects, toolmaking, jig and fixture construction and design

CAD technology: CATIA V5



FIND OUT ABOUT OUR SERVICES

The following pages will help you gain an idea about the broad range of services we offer.

- Construction services
 - jig and fixture development
 - show cars, prototypes and design
- Preparation of drawings
- CAD data handling

Core competence

- ❖ Welded and molded control fixtures
- ❖ Measurement equipment / fixtures
- ❖ Control and cutting gauges
- ❖ Cubing (aluminum and CFRP)
- ❖ Design & Functional models / prototypes
- ❖ Design check models / show cars
- ❖ Class A surface designing
- ❖ IDM / TED / Speed Foam / clay models
- ❖ Carbon Fiber/ glass Fiber lightweight technology

CONSTRUCTION SERVICES

We offer full services for the construction of special machines and equipments:

Our services at a glance:

- ❖ 3D designs according to your specifications or those of OEM (VW, Ford, BMW, etc)
- ❖ Surface remaking from a dots' cloud
- ❖ Analysis and evaluation of existing constructions
- ❖ 3D-model creation for actual devices, plant and equipment
- ❖ Incorporation of scope of changes into existing constructions

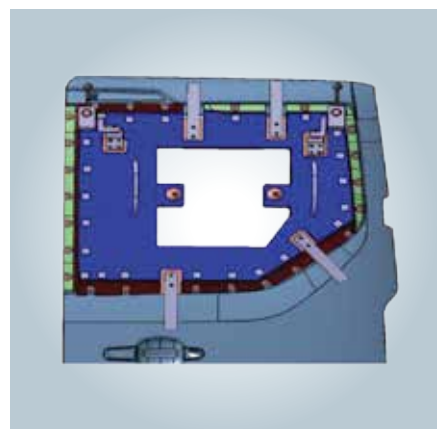
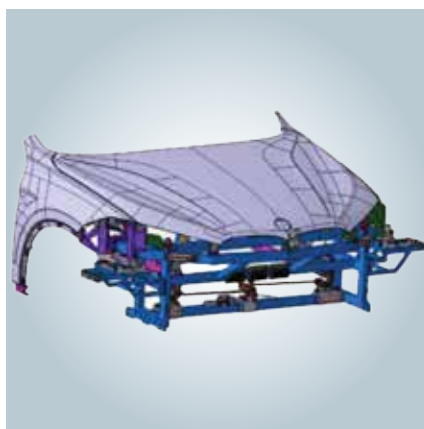
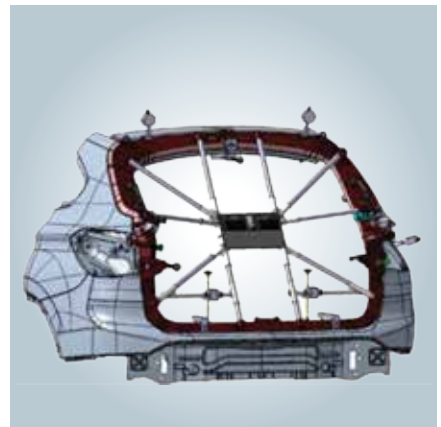
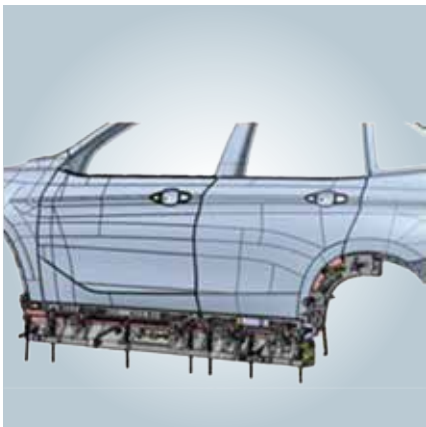
JIG AND FIXTURE DEVELOPMENT

Gauges, jigs, Controlling fixtures, mold designing and cubing and much more. We provide professional designs for our clients who play a key role in the development of gauges for VW, Audi, Porsche, BMW and Ford.

We have helped them in the initiation's process, designing and overseeing the development of moulds for CFRP parts, control devices and control gauges.

Lightweight opening plugs or CFRP gauges are used to assess the joints of the body in white. This application takes place in all areas of installation, such as:

- ◆ Front and rear winddhiold
- ◆ Sunroof
- ◆ Door, bonnet and tailgate
- ◆ Front and rear bumpers
- ◆ Entire front module with mounting brackets
- ◆ Headlamp and tail lamps



SHOW CARS, PROTOTYPES AND DESIGN

We have wide experience in the development and construction of show cars, prototypes and designing futuristic concepts.

Our cope of services- ranges from the construction of interior and exterior display models to the functional models made from even the most varied materials; we contribute to the design of complex, fully equipped, ready-to-drive show cars presented to expert audiences at international trade fairs.



PREPARATION OF DRAWINGS

Do you need support in drawings or documentations for your designs!

USING OUR MODERN CAD SYSTEMS AND BASED ON YOUR SPECIFICATIONS, WE CAN PREPARE:

- drawings
- plans
- layouts
- bill of materials
- documentation and user manuals

Thanks to our cooperation with well-qualified translation offices, we can work on multilingual drawings and documentation.

CAD DATA HANDLING

Modern CAD systems generate vast amounts of data. Great experience is needed to keep on top of it.

Our range of services spans simple data from conversion to processing large volumes of data.

Our CAD technology enables us to process the following formats:

AutoCAD (*.DWG;*.DXF)

CATIA V4 (*.MODEL)

CATIA V5 (*.CATPart;*.CATProduct;*.CATDrawing)

STEP (*.STP;*.STEP)

IGES (*.IGS)

3D XML (*.3DXML)



There are multiple options available for data exchange with our clients and partners.

- OpenDXM GlobalX
- FTP

For worldwide video conferences, we use a WEBEX system (www.webex.de)

For further informations please visit our website www.sbm-design.net.
We are looking forward to convince you with our competence.

Please feel free to contact us.

General Manager

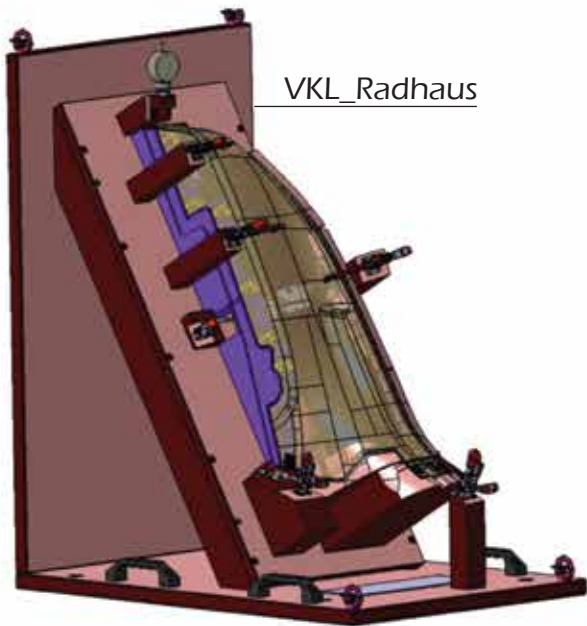
Majdi Ben Amouda



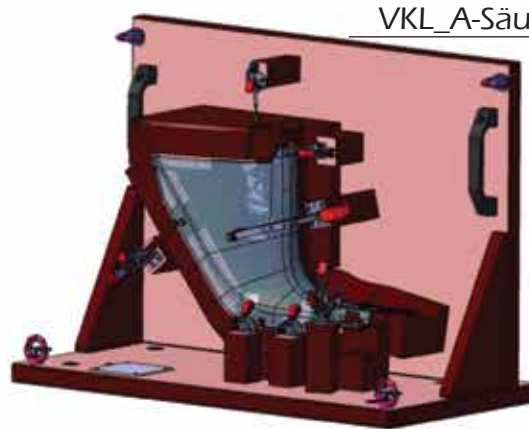
A hand in a white shirt sleeve points to a button. The button is white with a black border and contains a blue circular logo on the left and the word 'REFERENCES' in bold black capital letters on the right. The background is a collage of light blue and grey line-art sketches of various vehicles, including cars, a bus, a train, a truck, and a boat.

 **REFERENCES**

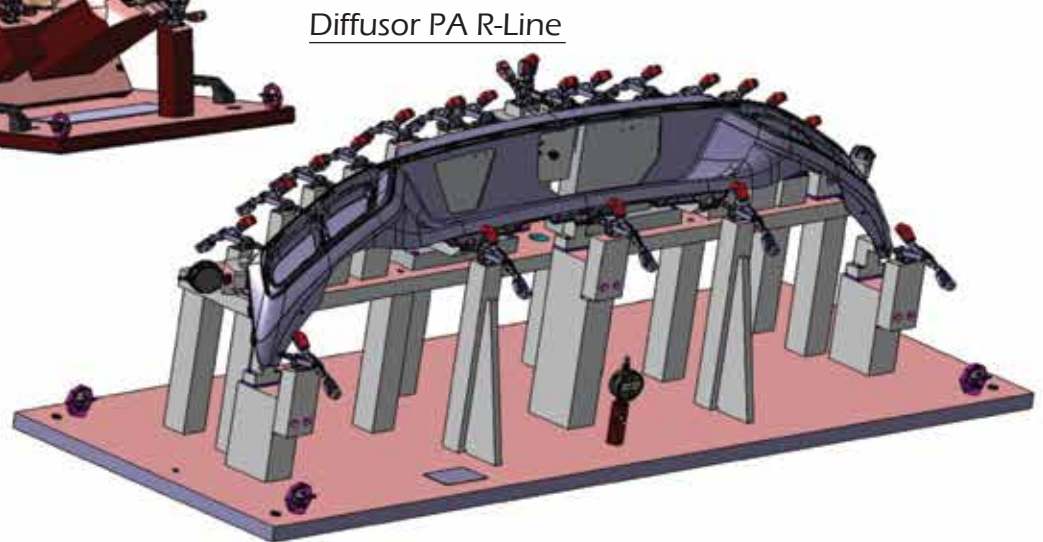
Measuring device



VKL_Radhaus

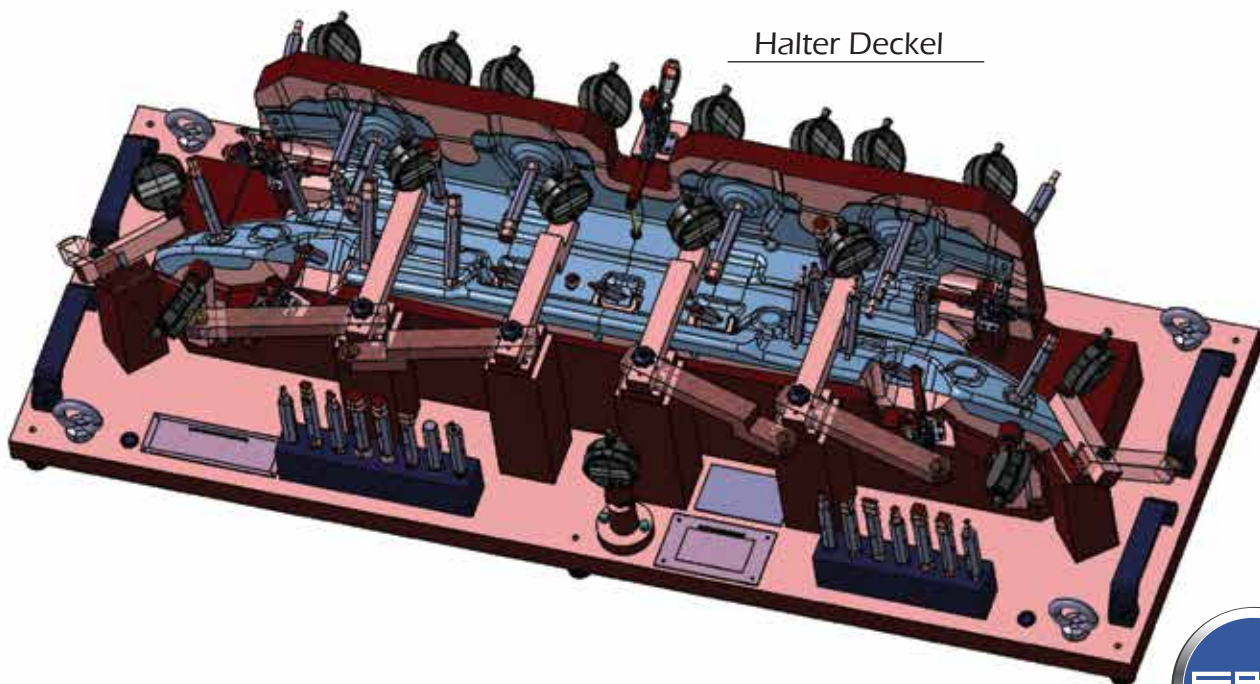


VKL_A-Säule Unten



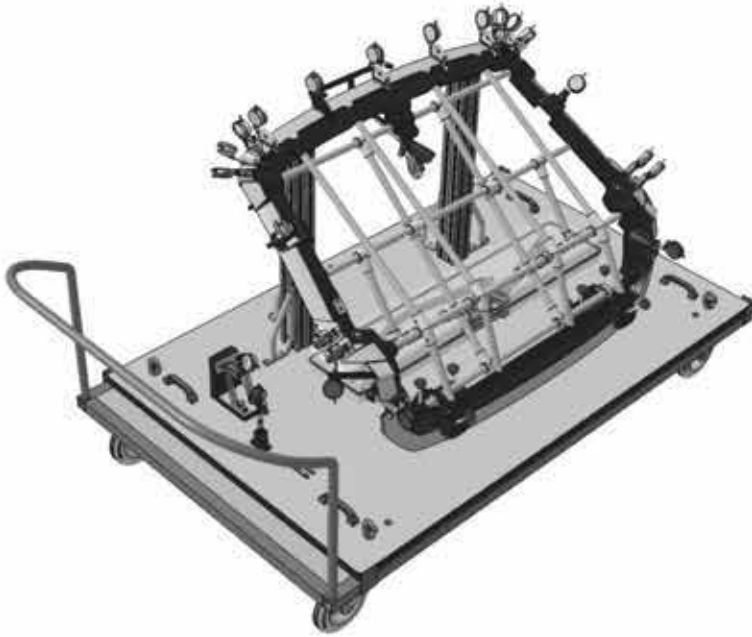
Diffusor PA R-Line

Checking gauges

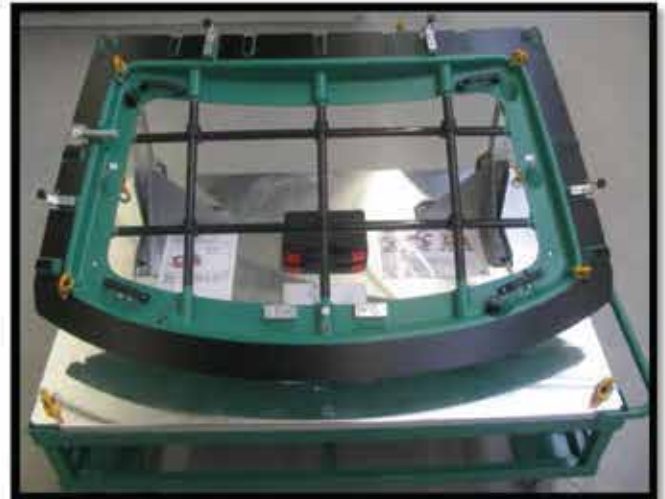
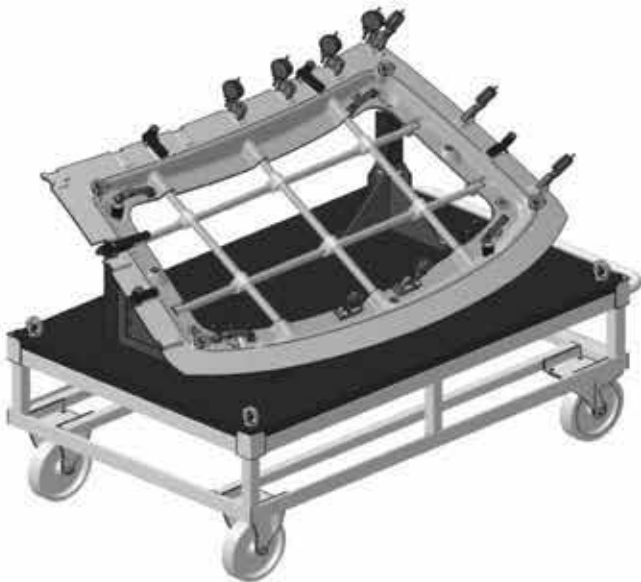


Halter Deckel

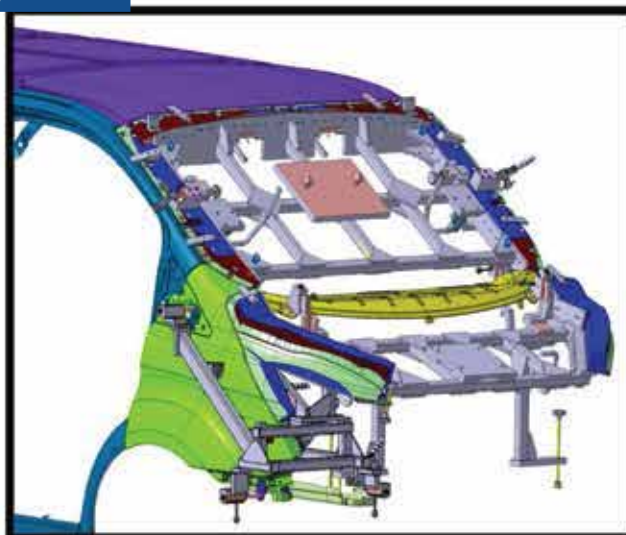
Heckklappe



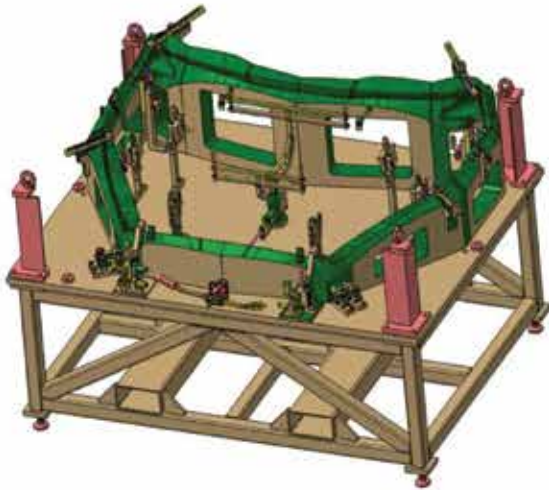
Frontscheibe



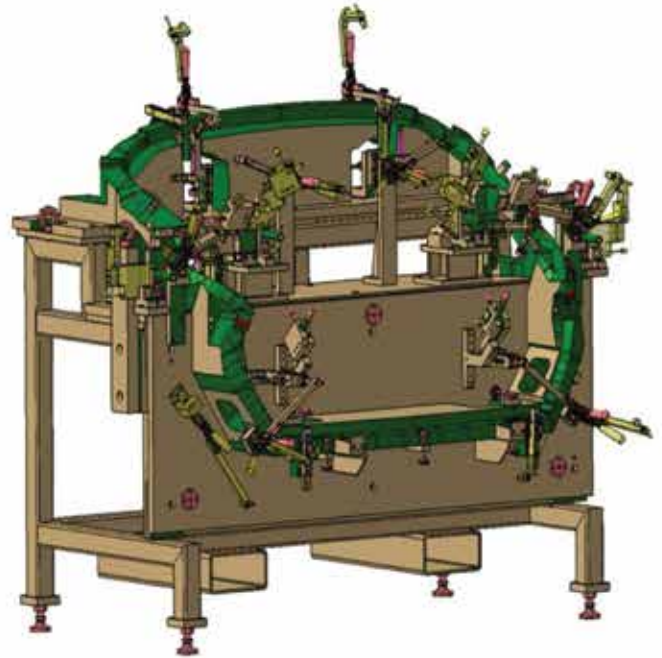
Alu. Opening Plugs - Front



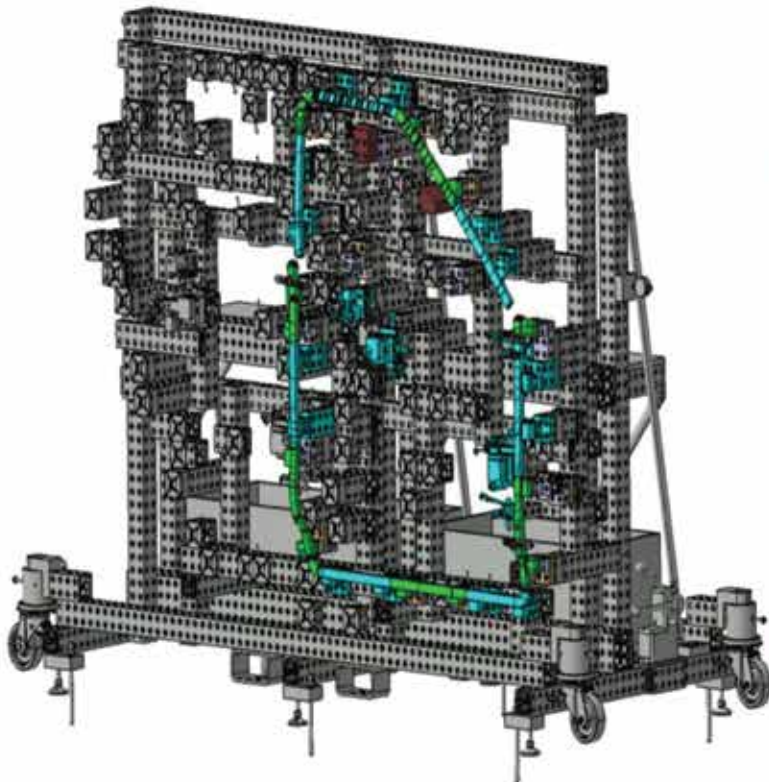
Frontklappe



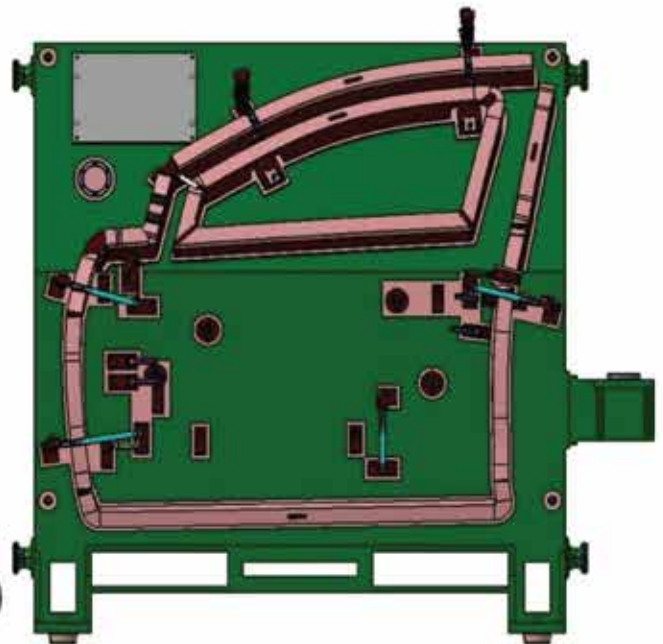
Heckklappe



Tür Vorne

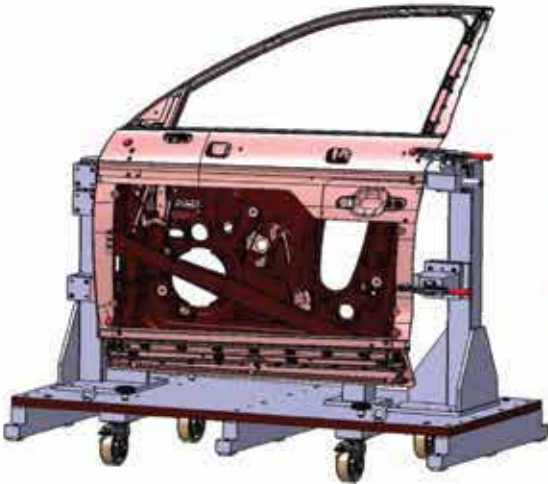


ETL Türinnenteil vorne



Full form doors

Tür Vorne



Tür Hinten

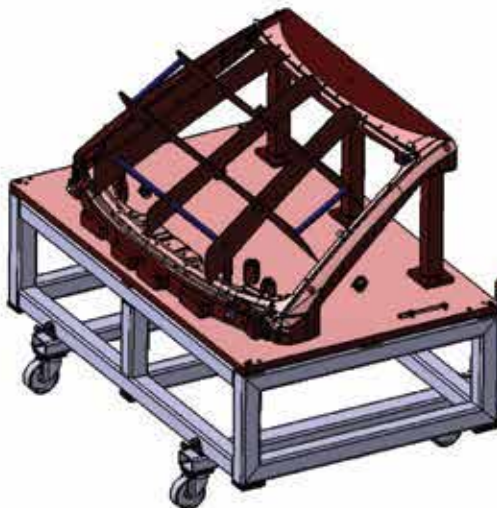


Heckklappe



Anlage model

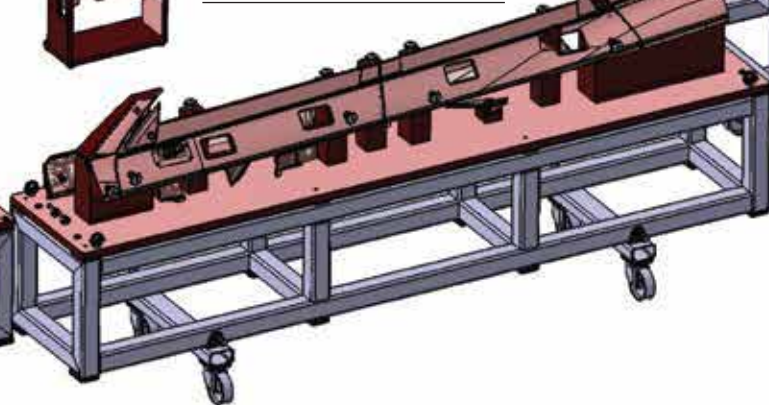
Frontscheibe



Türgriff



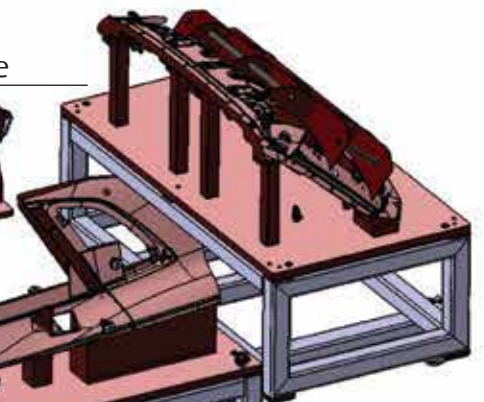
Seitenteil



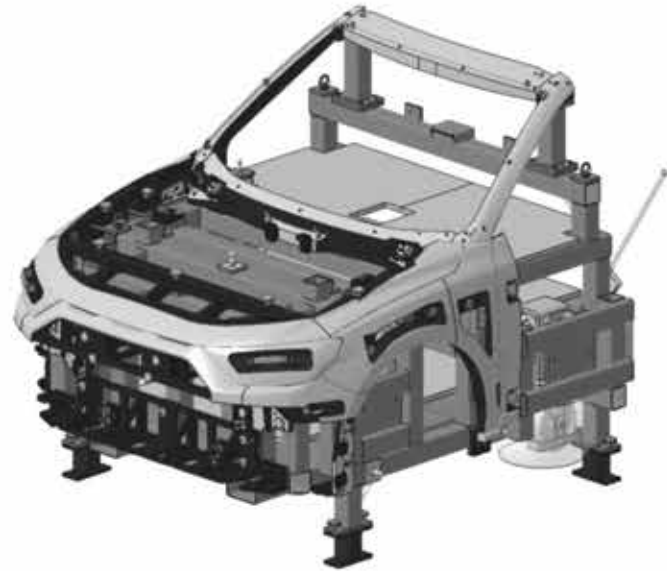
Tankklappe



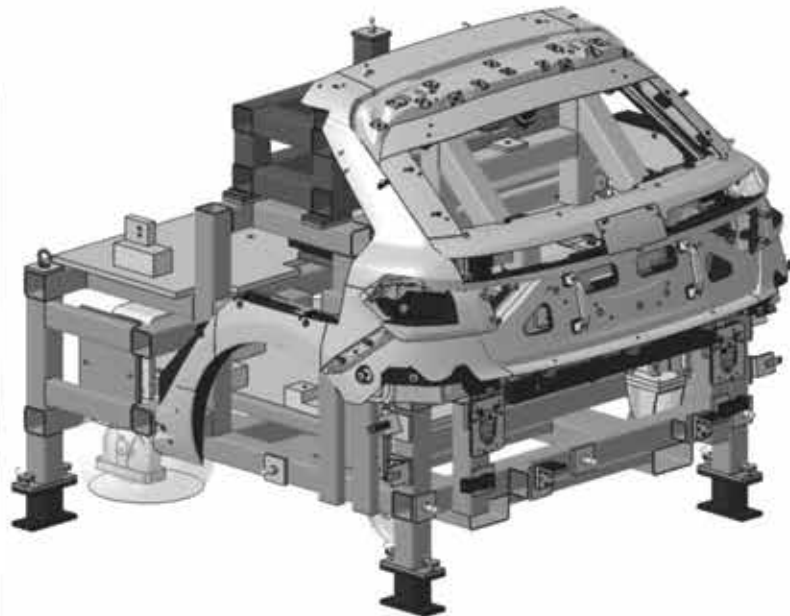
Heckscheibe

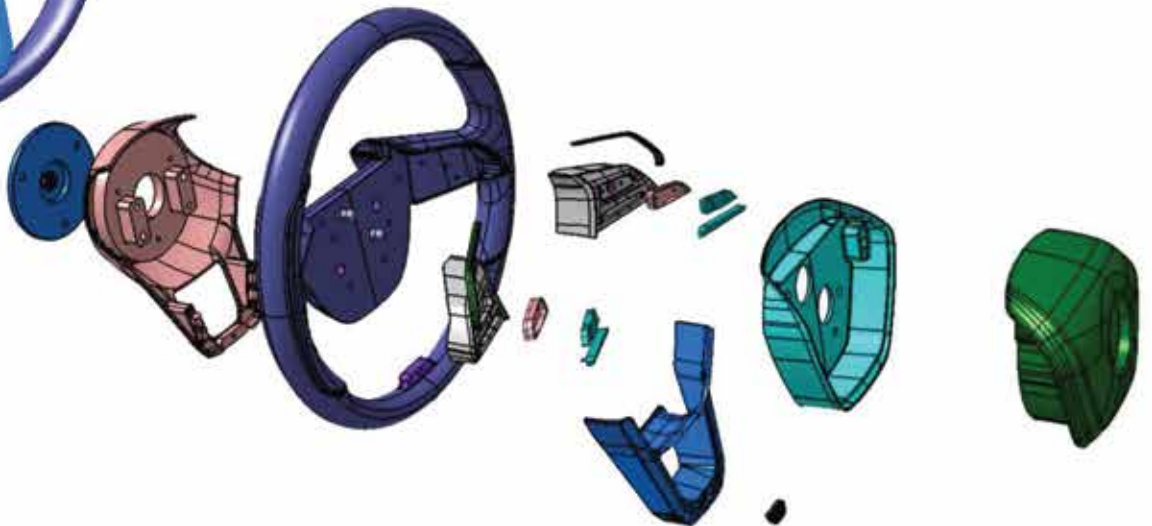
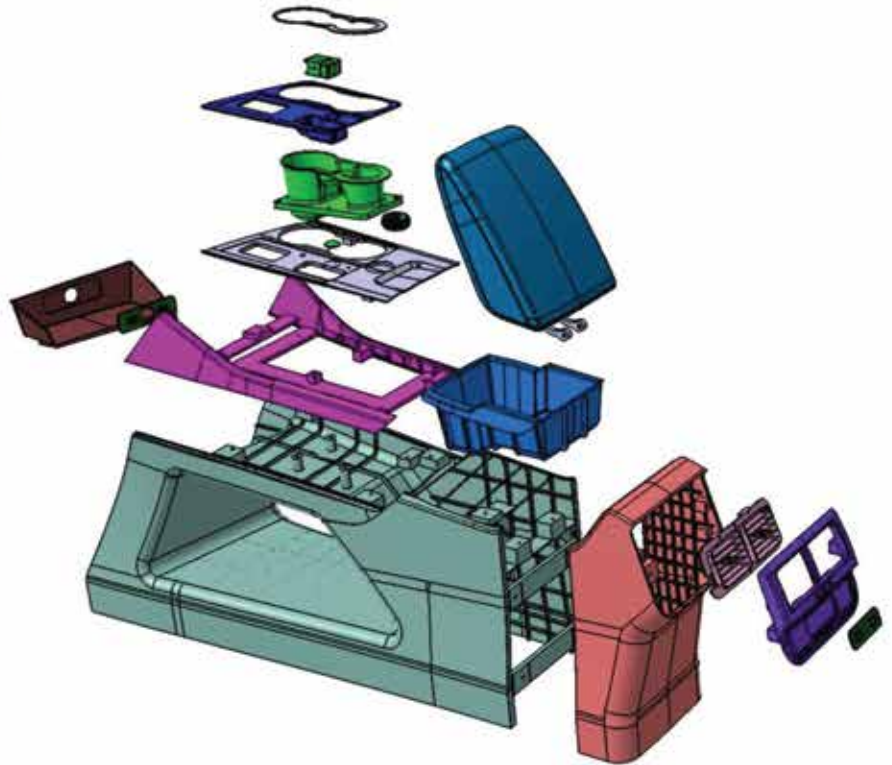
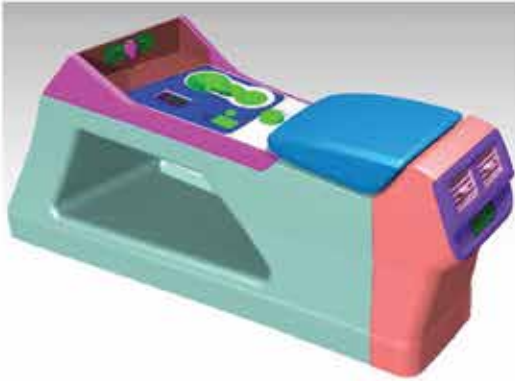


Rear cubing



Front cubing





All the constructions shown here are fictitious designed by SBM-Design for explanation purposes



Technopole de la Manouba,
Espace des Grandes Entreprises
Plateau E22,2ème étage
2010 Manouba Tunis

Tel: + 49 (0)89 99950930

Tel: + 216 70 526335

Fax: + 216 70 526335

E-mail : contact@sbm-design.net

Site Web: www.sbm-design.net